



FLOAT™ square suspending panel light

SC-PSC24W/N/CV3012-T40W



Description

FLOAT™ square suspending panel light is with a unique design for commercial lighting. It is nearly transparent luminaire when the light is off, and an excellent lighting effect when it is on. The light distribution is around 55% direct and 45% indirect, and it provides a comfortable and soft lighting environment for the users.

Features

1. The over-all structure of the light is designed with obliquity, beautiful and gorgeous appearance, three-dimensional sense, and its surface adopts injection technology, which makes the appearance have more metallic finish;
2. Energy-saving and eco-friendly, no UV, no IR and mercury free, RoHS compliant;
3. Diffuser plate adopts silk-screen transparent plate, strong three-dimensional sense;
4. The profile adopts 6063 aluminum, excellent cooling effect; adopts low-power LEDs with large chip, and the LEDs work in low temperature;
5. The reflective sheeting adopts imported PMMA with laser dot, high stability, high lighting effect, uniform light-emitting surface, no dark spot;
6. The end cap adopts die-casting aluminum, beautiful appearance, good cooling effect;
7. The connecting wire adopts crystal cable, beautiful and gorgeous shape;
8. Side cover of power supply pack adopts magnet technology, no screw, convenient to assemble and disassemble, bottom cover and fixing plate of power supply adopt aluminum profile design, good cooling effect and adopt power supply without flicker;
9. Can be turned on/off frequently, no flicker or glare; good color rendering performance;
10. Compact appearance, novel design, convenient to install and transport.



Specifications

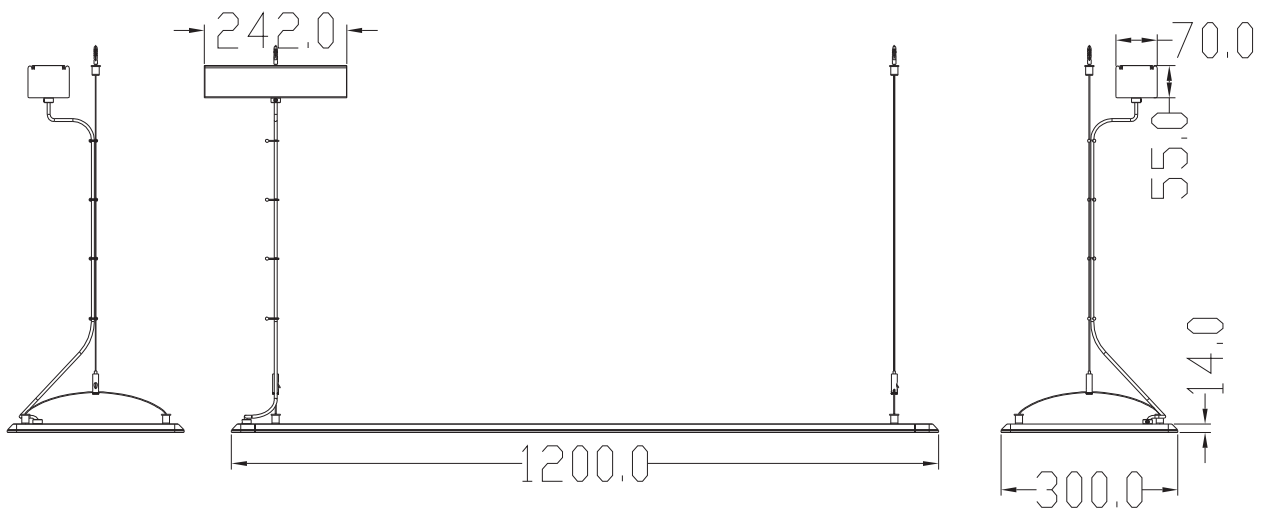
Model	CCT	Color	Lumen(lm) (±10%)	LED Type	LED Qty.	Beam angle	Power(W) (±10%)	Voltage (V)	Current (A)	CRI	PF
SC-PSC24WV3012-T40W	2800-3200K	warm white	3600	SMD2835	252pcs	360°	40W	AC200-240V 50/60Hz	0.3	>80	>0.9
SC-PSC24NV3012-T40W	3800-4200K	nature white	3840	SMD2835	252pcs	360°					
SC-PSC24CV3012-T40W	6000-6500K	cool white	3840	SMD2835	252pcs	360°					

Applications

Suitable for high-grade office, home, shopping mall, hotel, market and other indoor places.

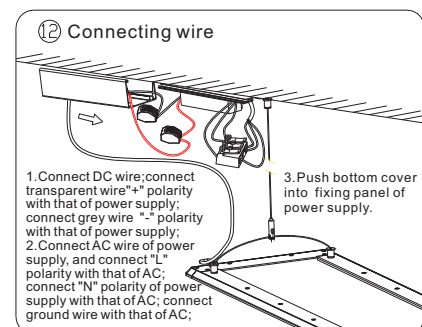
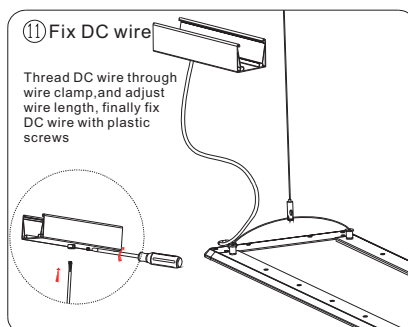
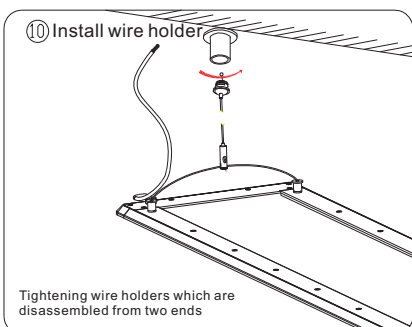
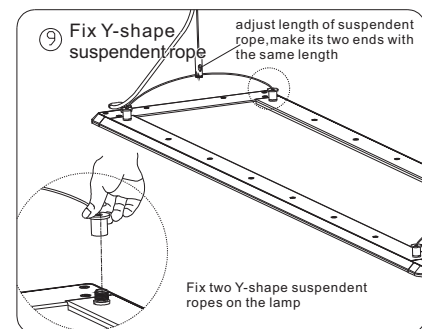
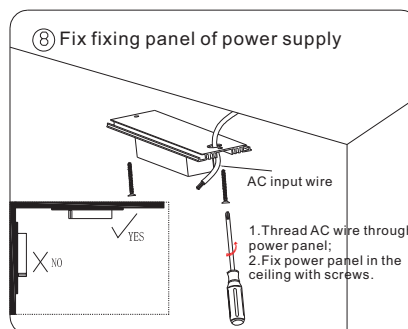
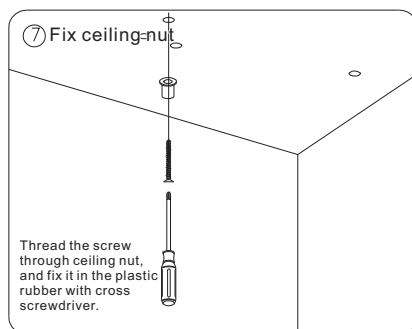
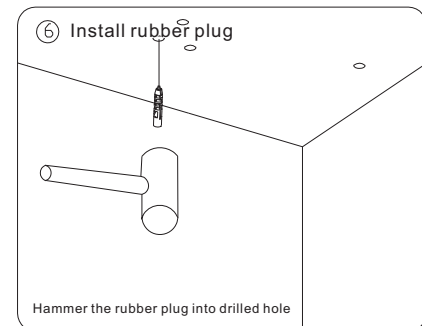
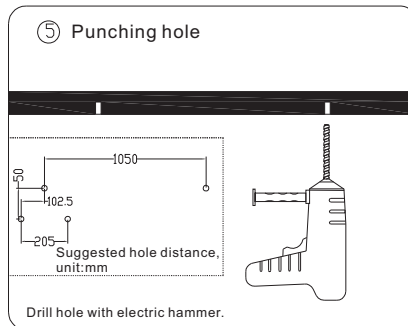
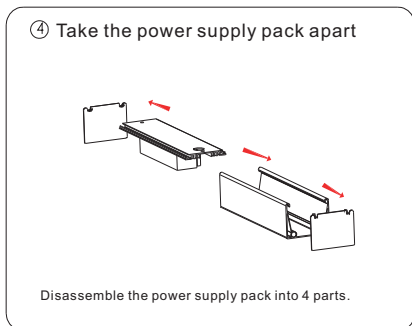
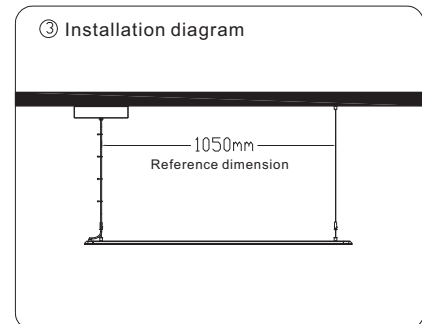
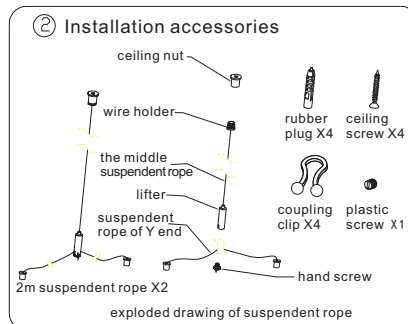
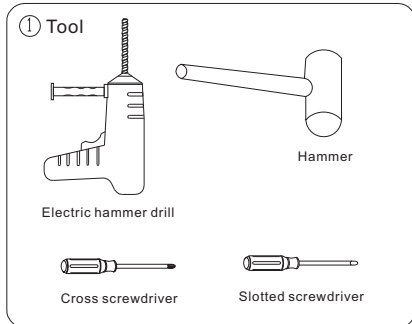


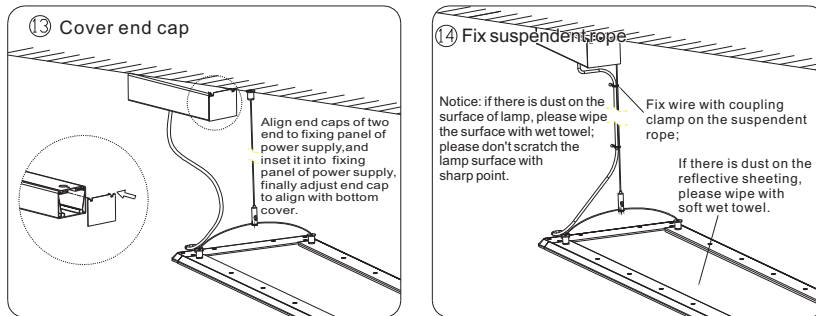
Dimensions (Unit: mm)





Installation Drawing





Product packaging information:

Net weight:4.23kg

Gross weight:5.5kg

Single packing dimension:1470*390*100mm (2 pcs/box)

External packing dimension:1495*225*415mm (4 pcs/carton, gross weight:21.8kg)

Installation requirement

- 1.Power off before installation;
- 2.Ensure the installation material can endure the lamp weight, drill screw holes of 4 pcs, and fix fixing panel of power supply, suspender ring in the ceiling;
- 3.Tightening the suspender rope into the suspender ring , and fix another end of suspender rope into the lamp;
- 4.Thread crystal cable through bottom cover and connect it with DC of power supply,the grey wire is connected to negative polarity of DC, and transparent wire is connected positive polarity of DC;connect input end,and push bottom cover into fixing panel of power supply,then cover side cover of two sides,finally fix crystal wire with plastic screws;
- 5.Adjust length of suspender rope,and fix the crystal wire on the suspender rope.

! Notice

- 1.Please first read the product specification carefully, make sure the using environment conform to specification, then it can be used;
- 2.Please confirm input voltage, frequency before use;
- 3.This product must be installed by professionals;
- 4.If there is any damage to the power wire or shell of the product, it should be taken as defective product and do not use it;
- 5.Dangerous high voltage, non-professionals are not allowed to maintain the product;
- 6.If external soft cable or soft wire of the light is damaged, it should be replaced by manufacture or service agent or personnel with similar qualification to avoid danger.