



Ceiling Light Series

XD-012/18/25-AW-01



Description:

Ceiling light adopt LED light source, high brightness, long lifetime, can save energy 80% compared with traditional bulb of the same brightness. Lamp cover adopt PC material, crash-proof, UV-resistant; it won't yellowing after long time using. No mercury, no UV, no IR. No glare, soft light. AC100-277 input voltage, can operate normally in voltage fluctuating range. Light on demand, reach 100% brightness when turn on the light.

Features:

1. Long lifetime, exceed 22.8 years based on 3 hours per day.;
2. Low and less power consumption, high stability;
3. Adopt microwave sensor control;
4. Lamp cover adopt PC material, impact resistance, anti-aging, high light transmittance; high diffusion performance;
5. Uniform light, no dark area, large beam angle;
6. Novel and unique shape design, elegant appearance;
7. Good color rendering performance, to reduce eye fatigue;
8. Cold light source, no thermal radiation, eco-friendly;
9. Operating environment temperature $-20^{\circ}\text{C} \sim 45^{\circ}\text{C}$.
10. Sensor control: Sensing distance: 5m, Sensor angle: 360° , time delay: 60seconds)



Applications:

Suitable for room, corridor, study, balcony, kitchen, etc.

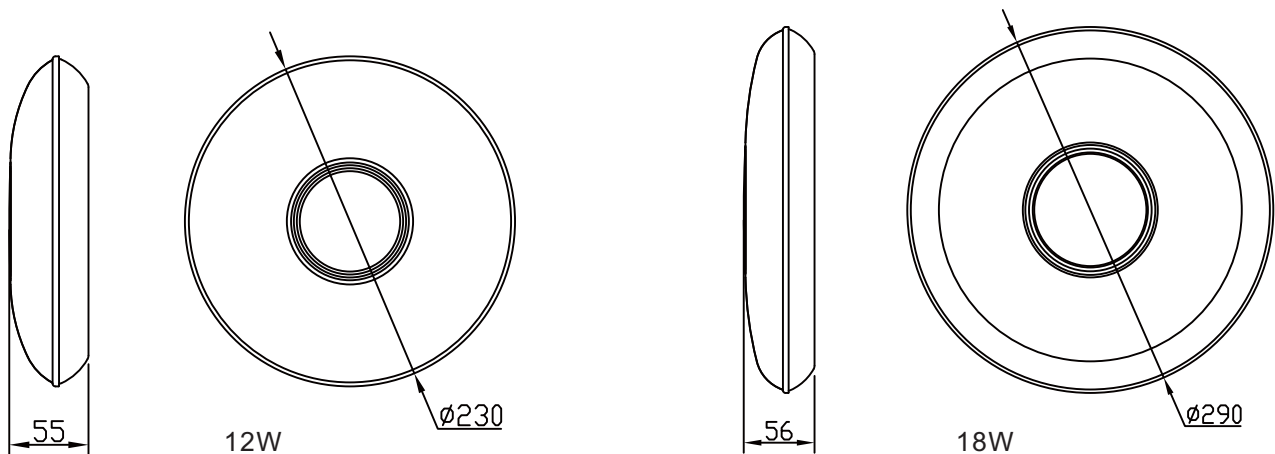
Recommendation: 12W diameter 230mm or 18W diameter 290mm ceiling light suitable for kitchen, corridor, balcony ; 18W diameter 290mm or 25W diameter 350mm ceiling light suitable for study, bedroom.

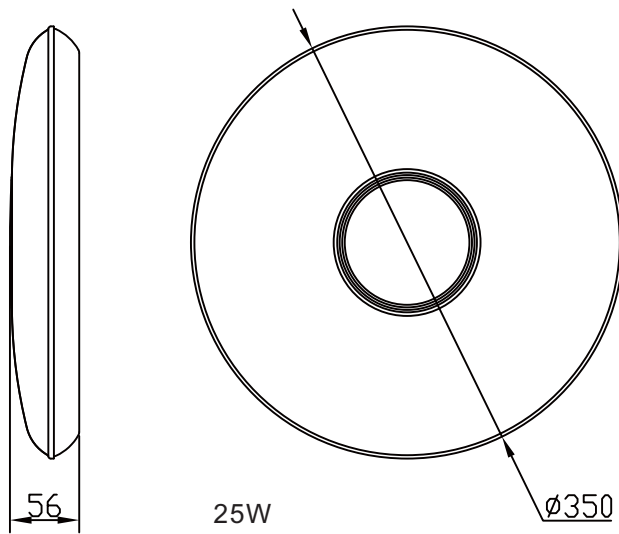


Specifications:

Model number	Color	Light output (lm±10%)	LED Q'ty	LED Type	Beam angle	Power (W)	CRI	Voltage, Frequency	Current	PF	Diameter (mm)
XD-012-AW-WW-01F	Warm White	800	72	SMD 2835	105	12	≥80	AC100-277V 50/60Hz	0.15A	≥0.9	230
XD-012-AW-NW-01F	Natural white	850									
XD-012-AW-W-01F	White	850									
XD-018-AW-WW-01F	Warm White	1260	144	SMD 2835	107	18	≥80	AC100-277V 50/60Hz	0.20A	≥0.9	290
XD-018-AW-NW-01F	Natural white	1350									
XD-018-AW-W-01F	White	1350									
XD-025-AW-WW-01F	Warm White	1750	216	SMD 2835	100	25	≥80	AC100-277V 50/60Hz	0.28A	≥0.9	350
XD-025-AW-NW-01F	Natural white	1875									
XD-025-AW-W-01F	White	1875									

Dimensions (Unit: mm):





Notice

1. Before using, please read the instructions carefully, to ensure the operating condition meets product using requirements and relevant technical specification;
2. Prohibit operating with power, must power off before contact with lamp to avoid electric shock;
3. After open the packaging, before use, please check whether the lamp is damaged during transportation or not. If the lamp is damaged, please stop application and inform supplier; the product can only be used in undamaged condition;
4. To ensure product safe and applicable, please conform to instructions to perform installation and operation; supplier is not liable for any losses caused by illegal operation.